

4

3

2

1

D

D

C

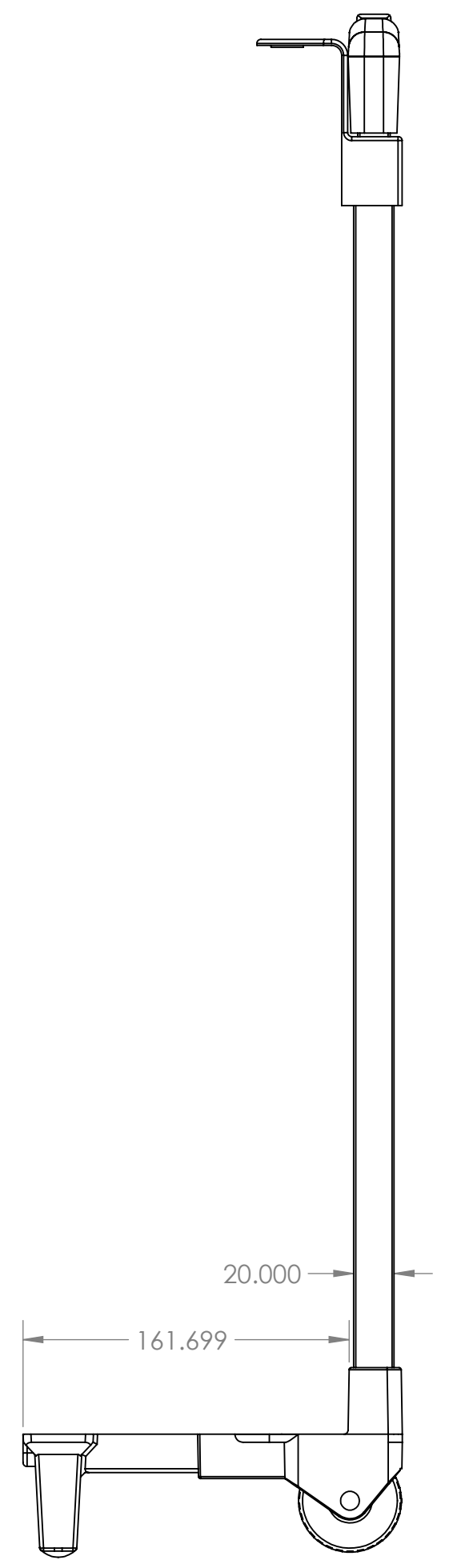
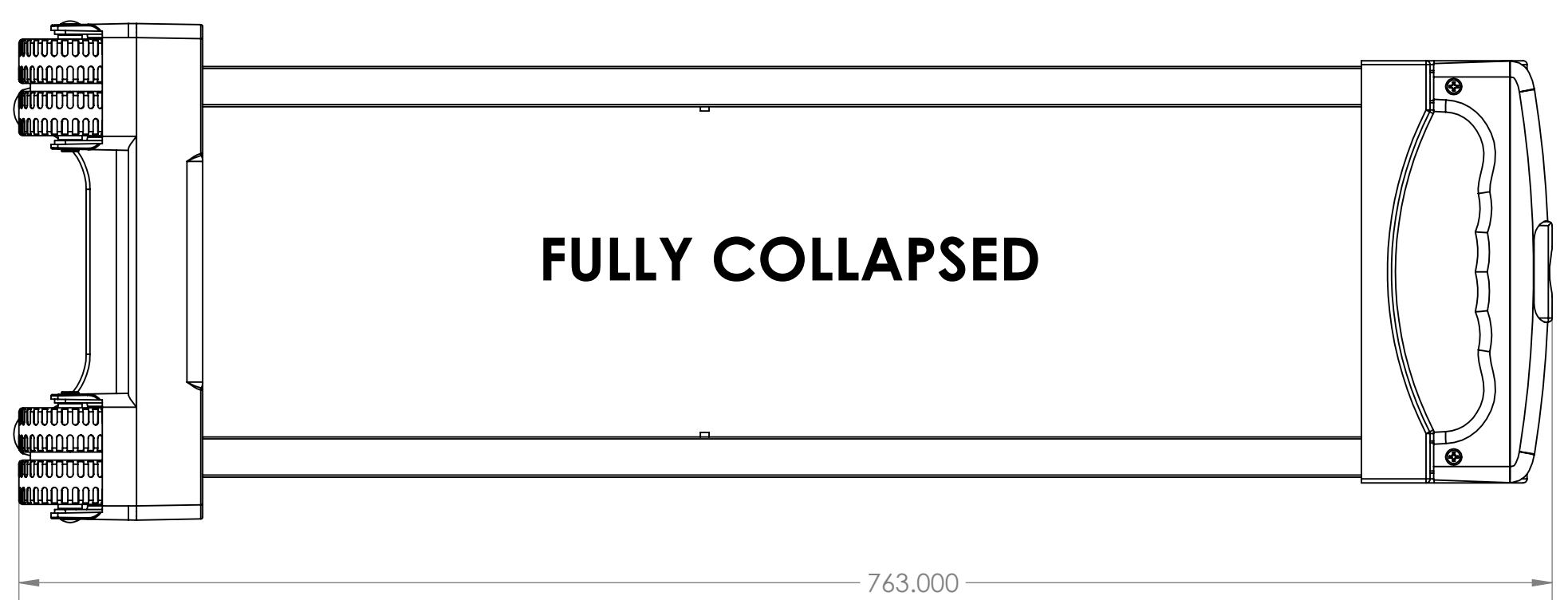
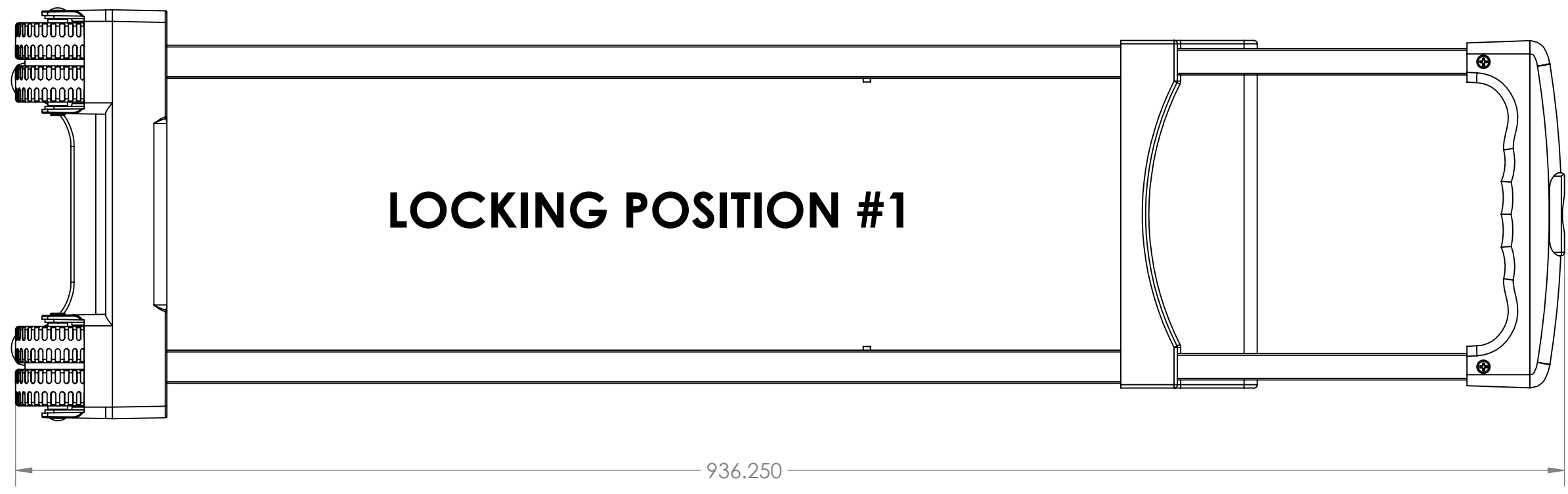
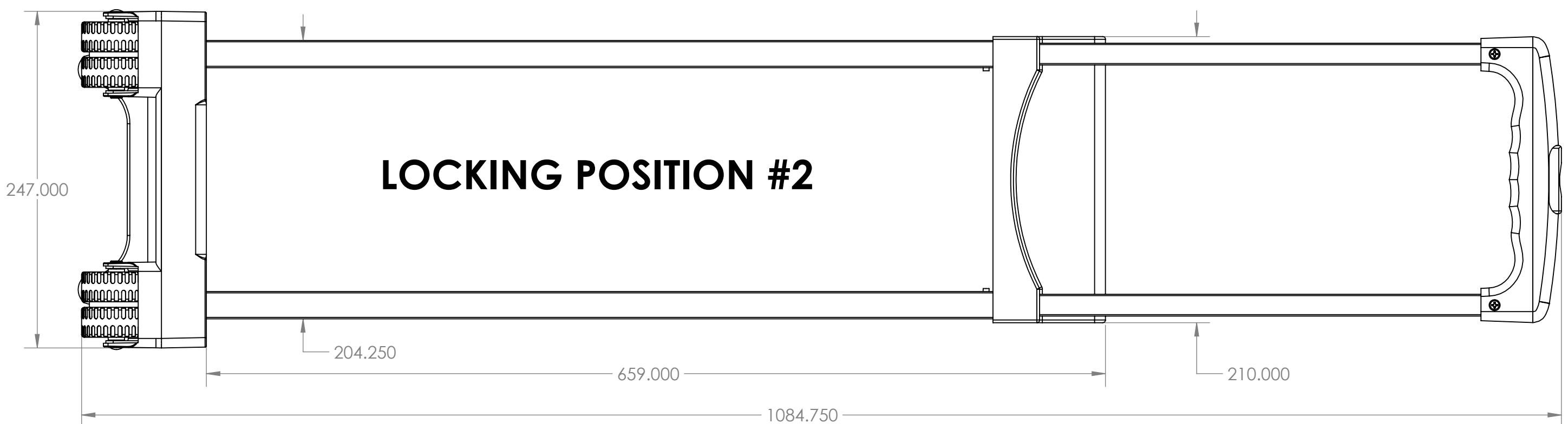
C

B

B

A

A



(FULLY COLLAPSED)

PROPRIETARY AND CONFIDENTIAL
 THE INFORMATION CONTAINED IN THIS DRAWING IS THE SOLE PROPERTY OF FABWORX MANUFACTURING & DESIGN. ANY REPRODUCTION IN PART OR AS A WHOLE WITHOUT THE WRITTEN PERMISSION OF FABWORX MANUFACTURING & DESIGN IS PROHIBITED.

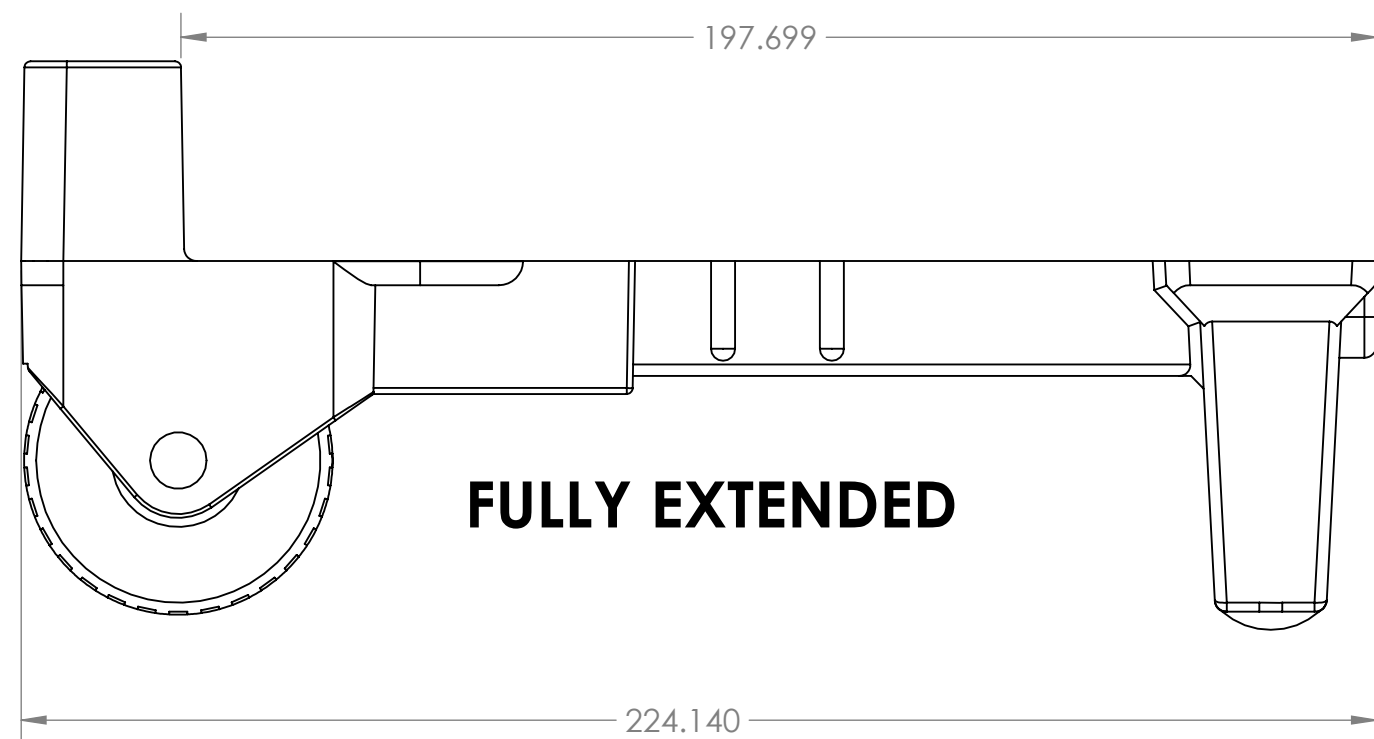
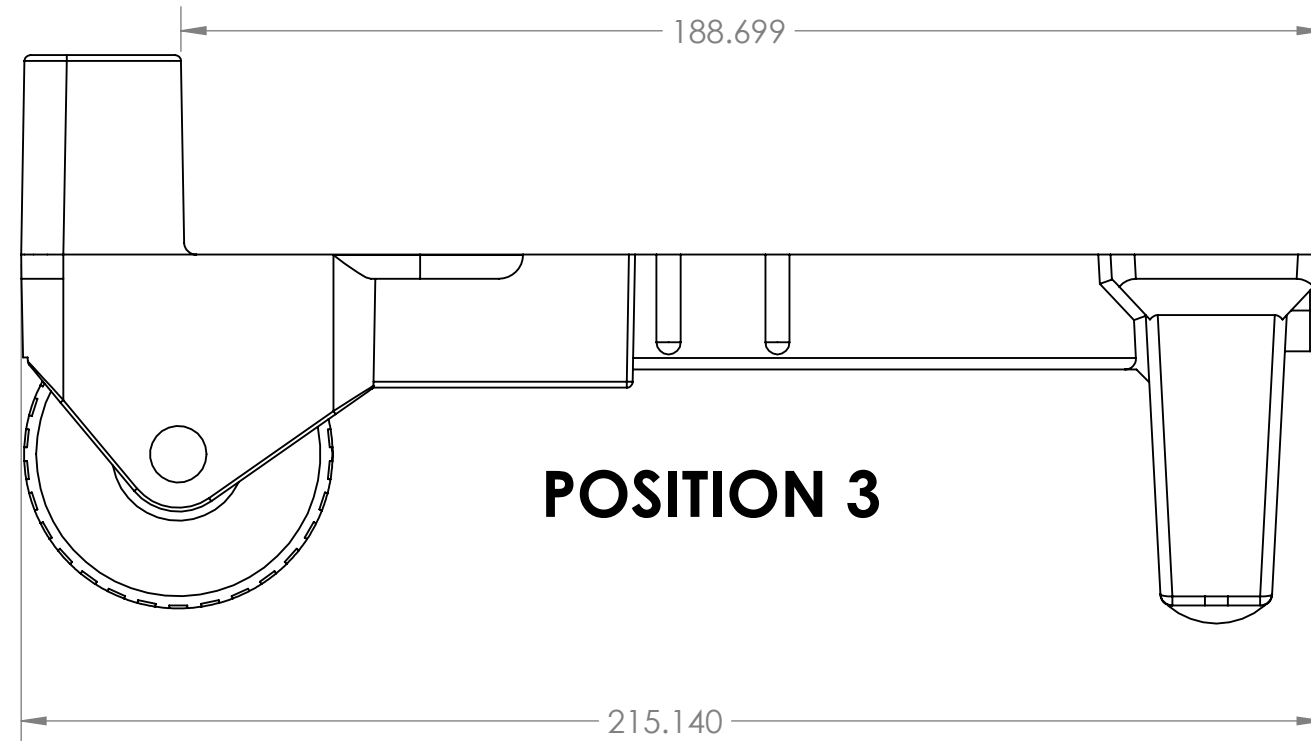
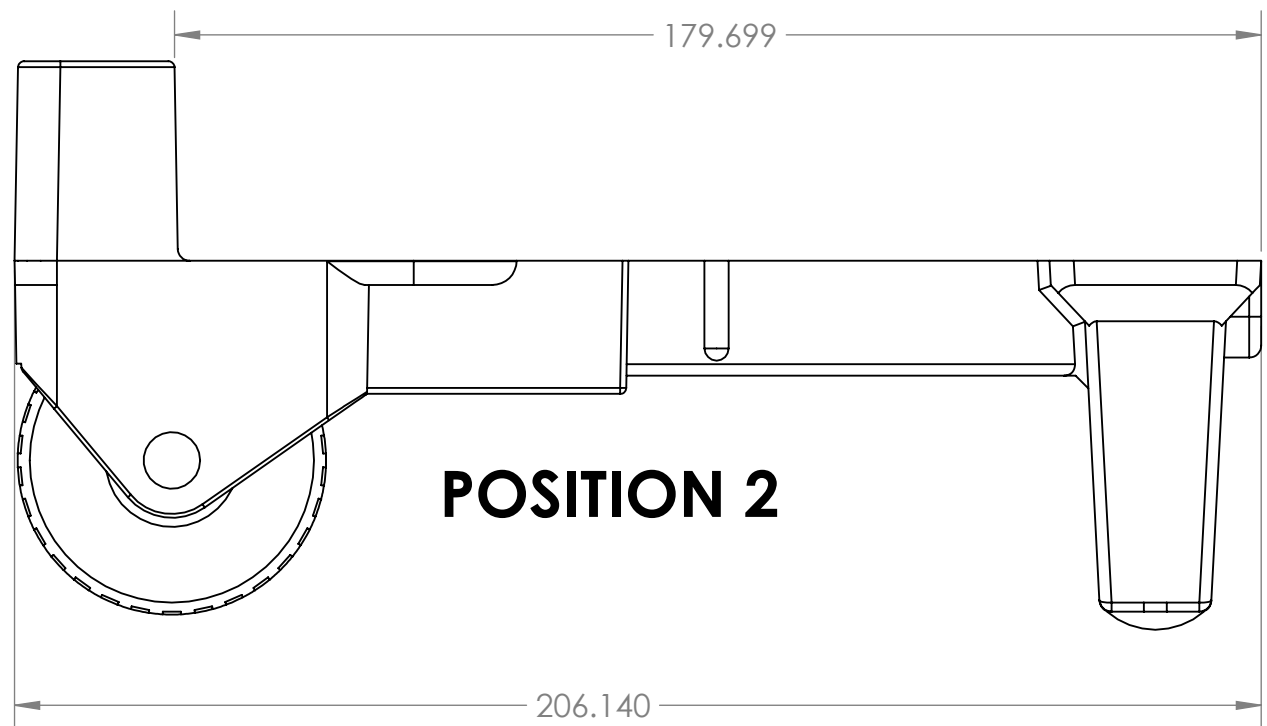
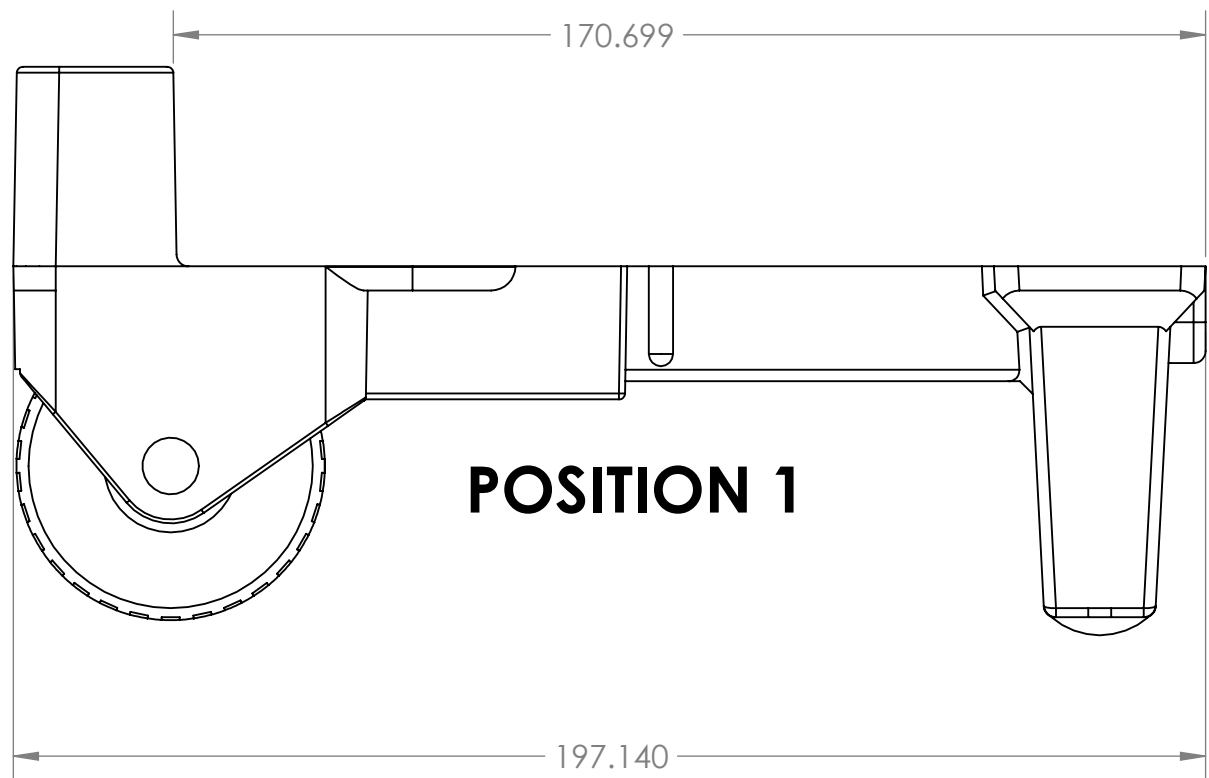
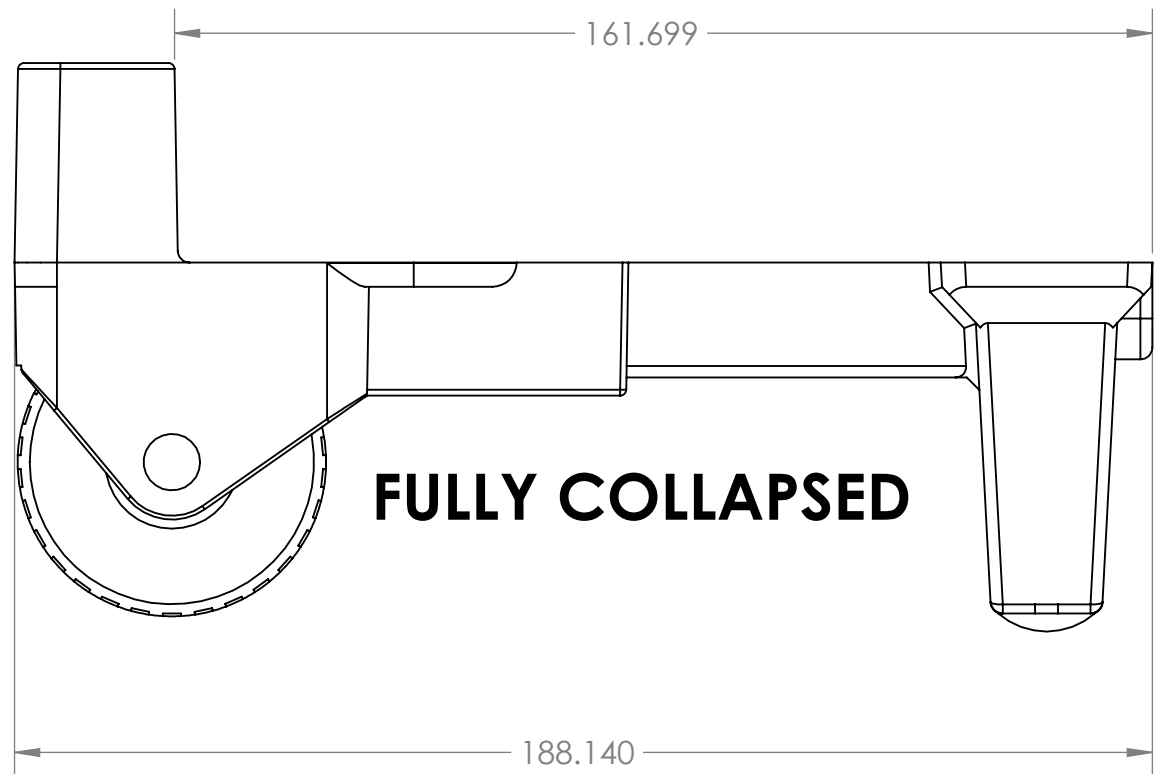
CUSTOMER: FLIGHT OUTFITTERS		TITLE	
UNLESS OTHERWISE SPECIFIED DIMENSIONS IN MILLIMETERS (mm)		DESCRIPTION: P-TXS130-2/9	
TOLERANCES: 0 = ±2.5 0.0 = ±0.25 0.00 = ±0.13 0.000 = ±0.013 ANGLES = ±1.0°		PART NUMBER:	
THIRD ANGLE PROJECTION	SCALE: NTS	MATERIAL:	FINISH: NATURAL
	DRAWN BY: JMB	SIZE: C	DRW. NO. SHEET 1 OF 1
	DATE: 03/AUG/2021		REV: 01
	CHECKED BY:		
	DATE:		

4

3

2

1



PROPRIETARY AND CONFIDENTIAL
 THE INFORMATION CONTAINED IN THIS DRAWING IS THE SOLE PROPERTY OF FABWORX MANUFACTURING & DESIGN. ANY REPRODUCTION IN PART OR AS A WHOLE WITHOUT THE WRITTEN PERMISSION OF FABWORX MANUFACTURING & DESIGN IS PROHIBITED.

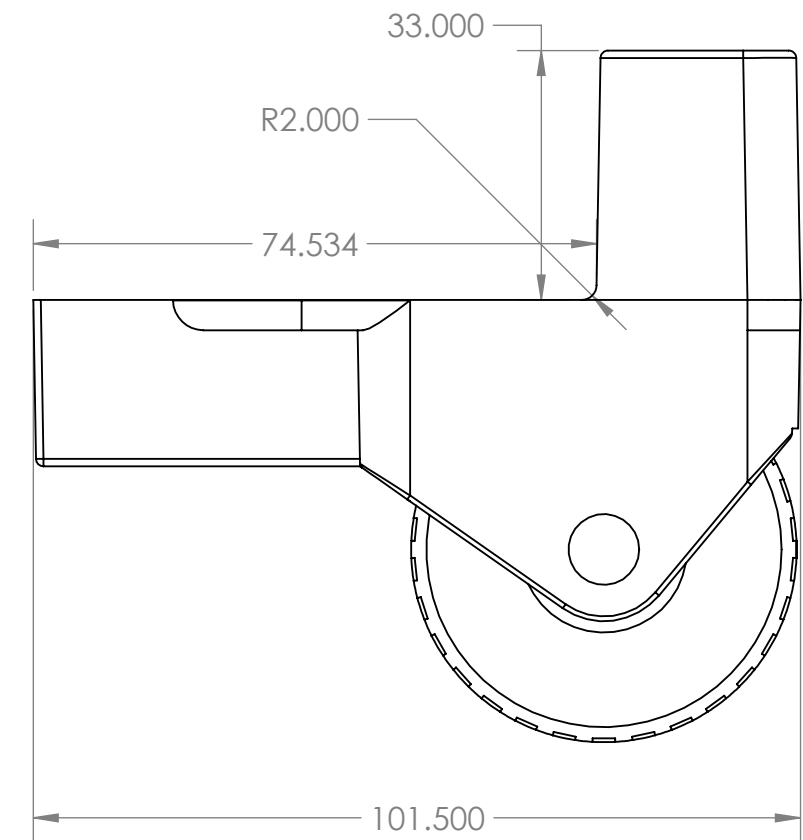
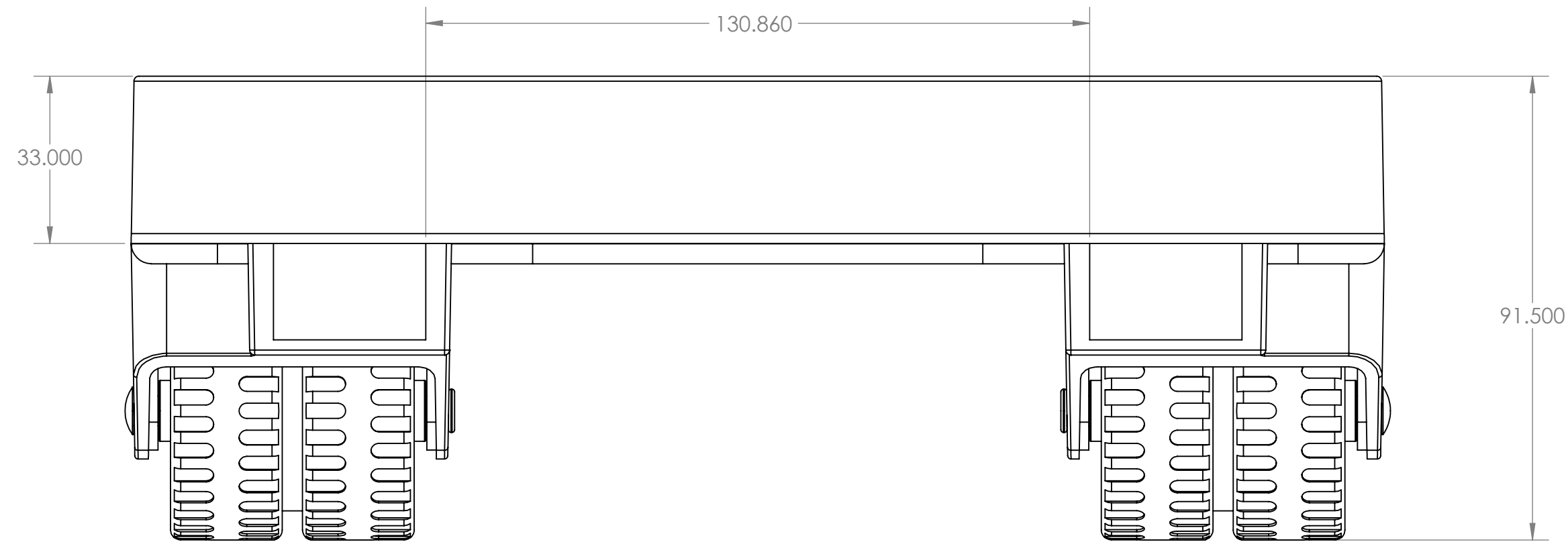
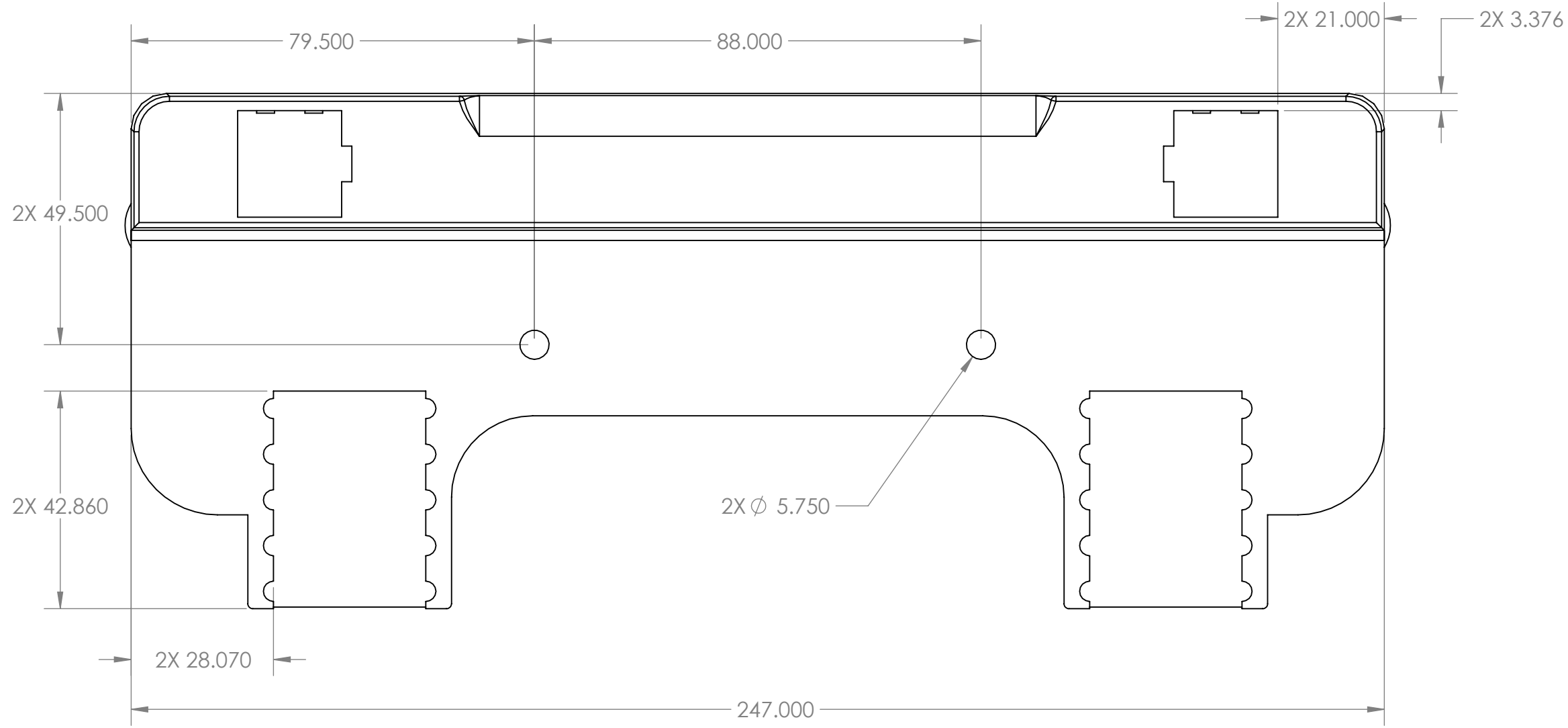
CUSTOMER: FLIGHT OUTFITTERS		TITLE	
UNLESS OTHERWISE SPECIFIED		DESCRIPTION: TXS130-2/9 WHEEL AND FEET ASSY	
DIMENSIONS IN MILLIMETERS (mm)		PART NUMBER:	
TOLERANCES: 0 = ±2.5		SCALE: MATERIAL:	
0.0 = ±0.25		NTS	
0.00 = ±0.13		DRAWN BY: JMB	
0.000 = ±0.013		DATE: 03/AUG/2021	
ANGLES = ±1.0°		CHECKED BY:	
THIRD ANGLE PROJECTION		DATE:	
		FINISH: NATURAL	
		SIZE	REV
		C	01
		SHEET 1 OF 1	

4

3

2

1



PROPRIETARY AND CONFIDENTIAL
 THE INFORMATION CONTAINED IN THIS DRAWING IS THE SOLE PROPERTY OF FABWORX MANUFACTURING & DESIGN. ANY REPRODUCTION IN PART OR AS A WHOLE WITHOUT THE WRITTEN PERMISSION OF FABWORX MANUFACTURING & DESIGN IS PROHIBITED.

CUSTOMER: FLIGHT OUTFITTERS		TITLE	
UNLESS OTHERWISE SPECIFIED DIMENSIONS IN MILLIMETERS (mm)		DESCRIPTION: TXS130-2/9 BASE PART NUMBER:	
TOLERANCES: 0 = ±2.5 0.0 = ±0.25 0.00 = ±0.13 0.000 = ±0.013 ANGLES = ±1.0°		SCALE: NTS	MATERIAL:
THIRD ANGLE PROJECTION		DATE: 30/AUG/2021	FINISH: NATURAL
DRAWN BY: JMB		SIZE: C	DRW. NO.:
CHECKED BY:		SHEET 1 OF 1	
DATE:		REV: 01	

4

3

2

1

D

D

C

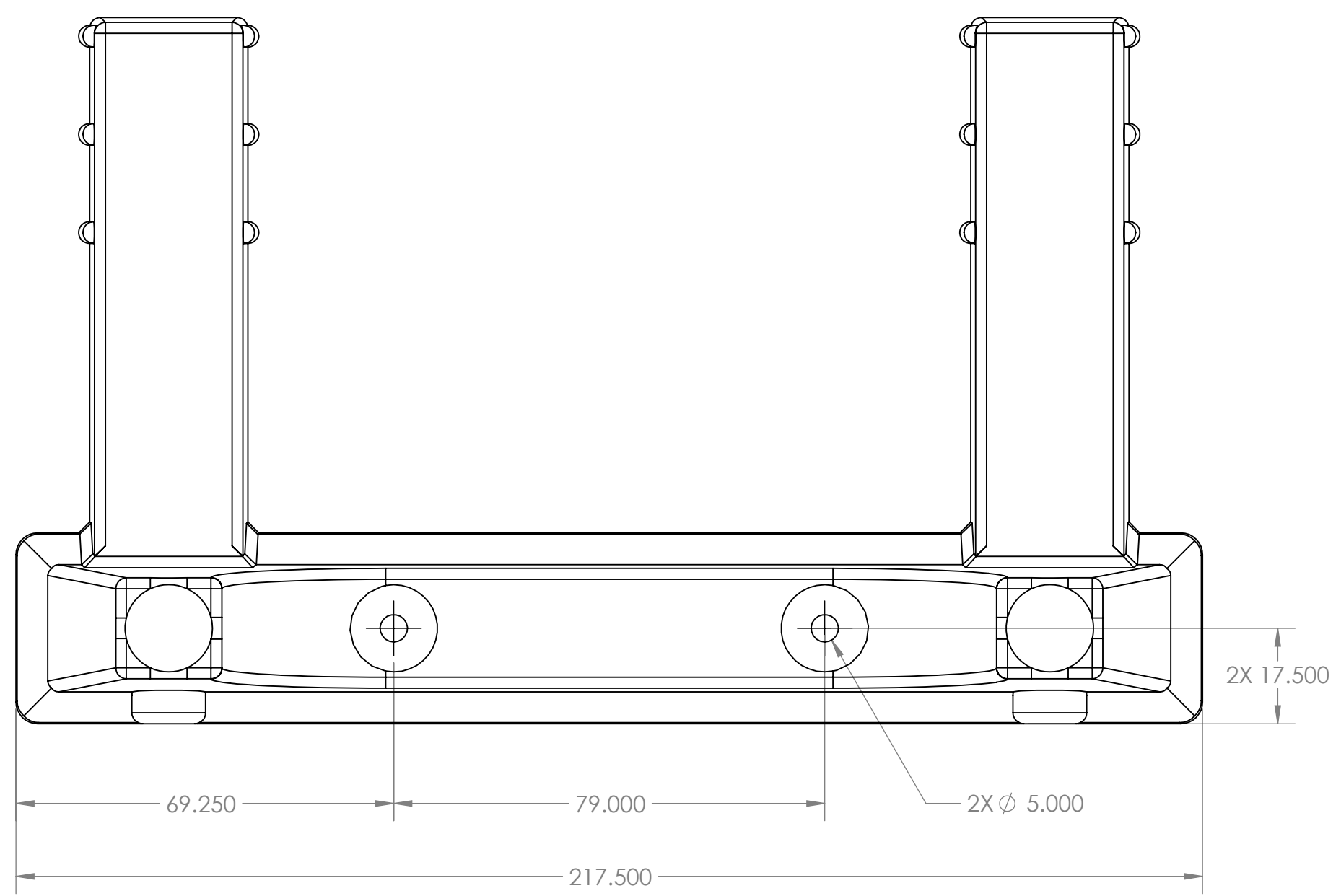
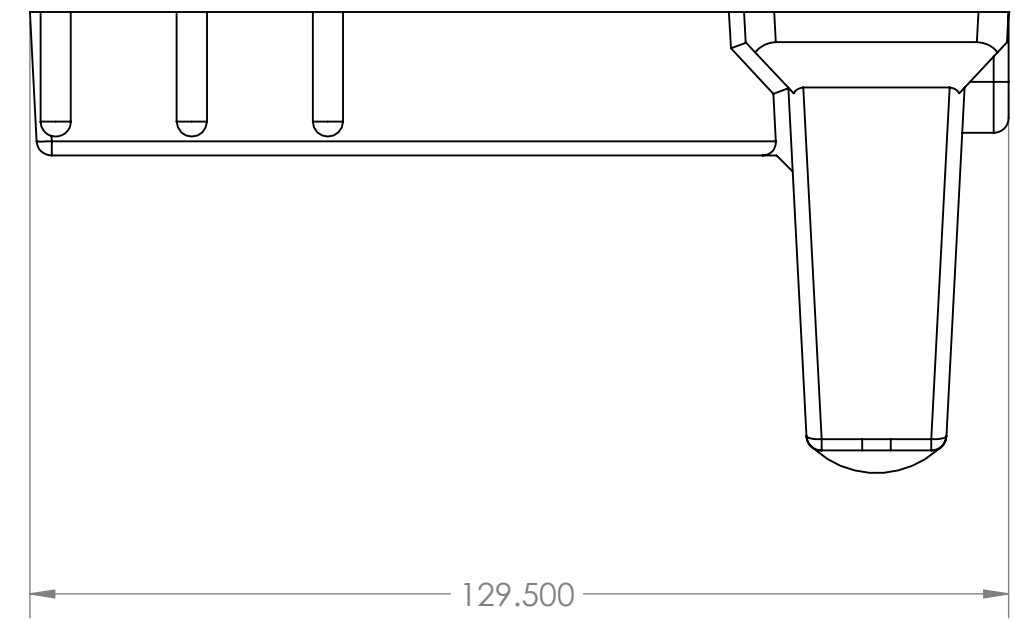
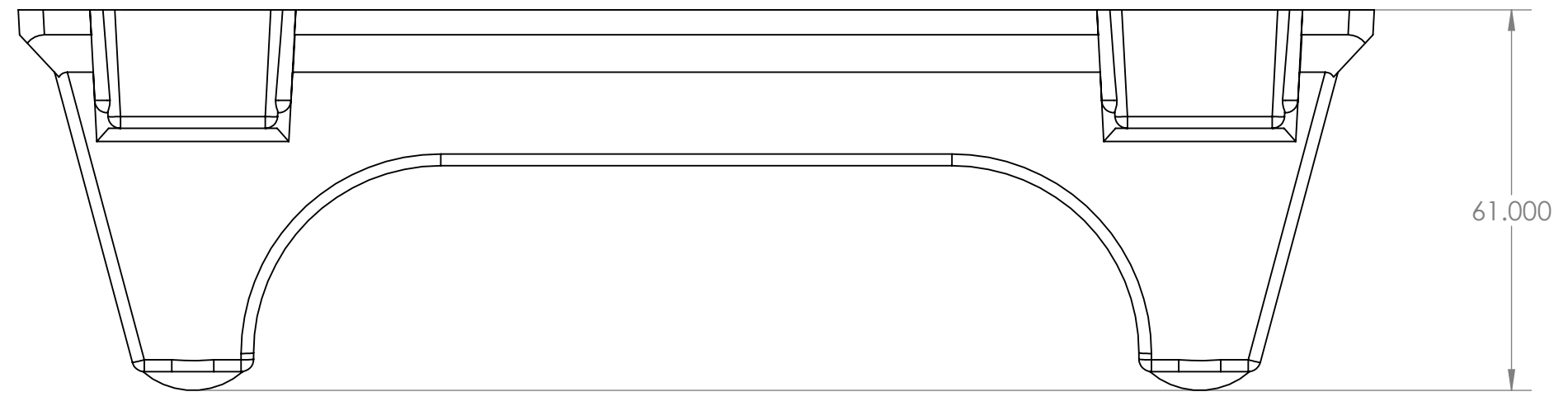
C

B

B

A

A



PROPRIETARY AND CONFIDENTIAL
 THE INFORMATION CONTAINED IN THIS DRAWING IS THE SOLE PROPERTY OF FABWORX MANUFACTURING & DESIGN. ANY REPRODUCTION IN PART OR AS A WHOLE WITHOUT THE WRITTEN PERMISSION OF FABWORX MANUFACTURING & DESIGN IS PROHIBITED.

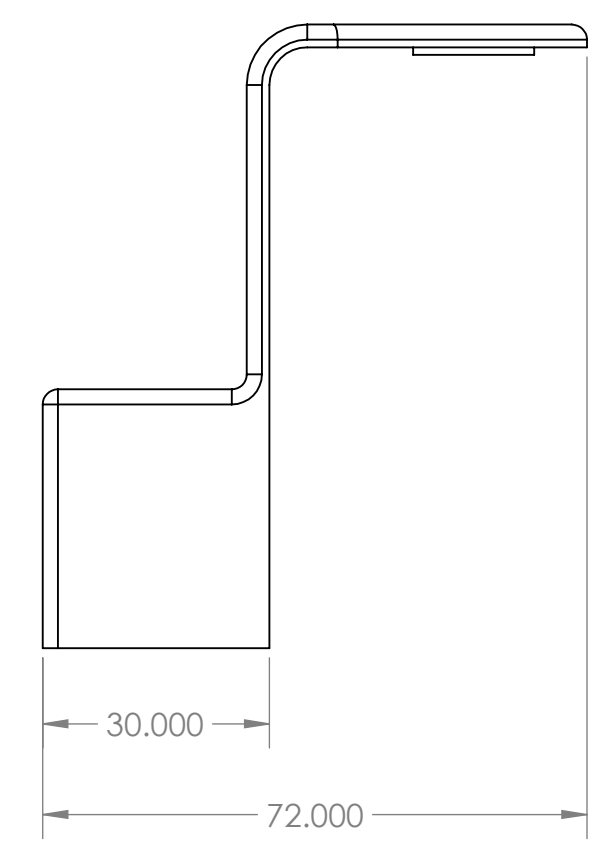
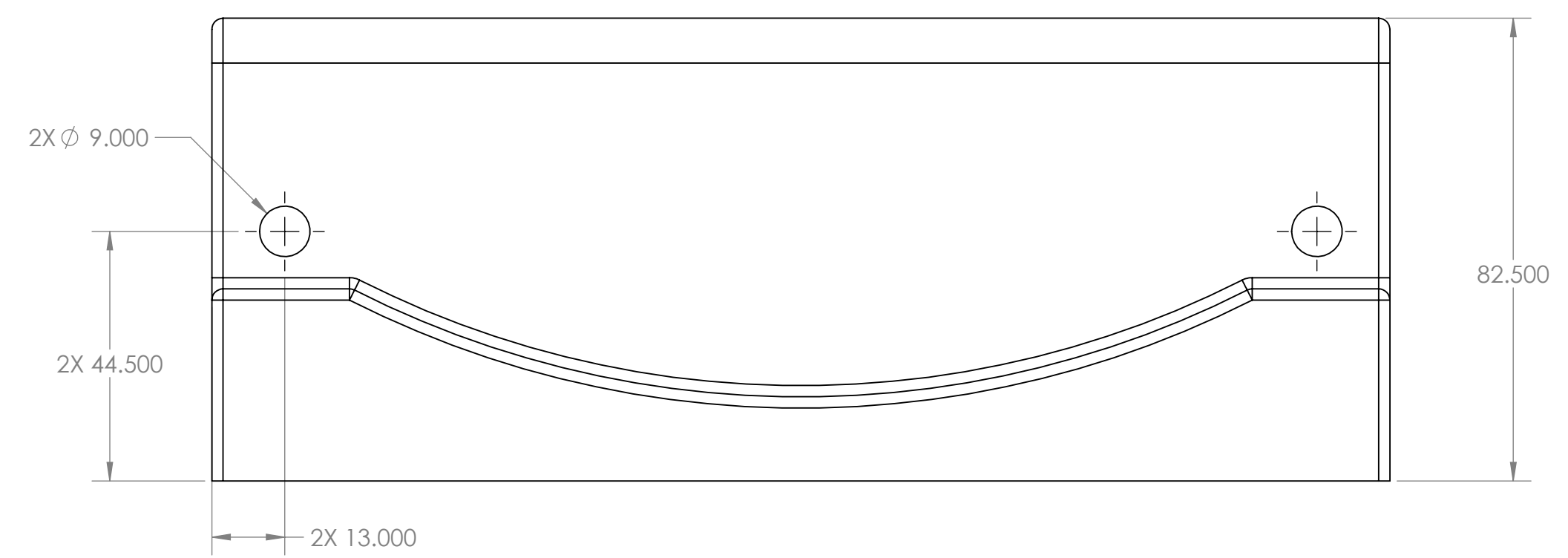
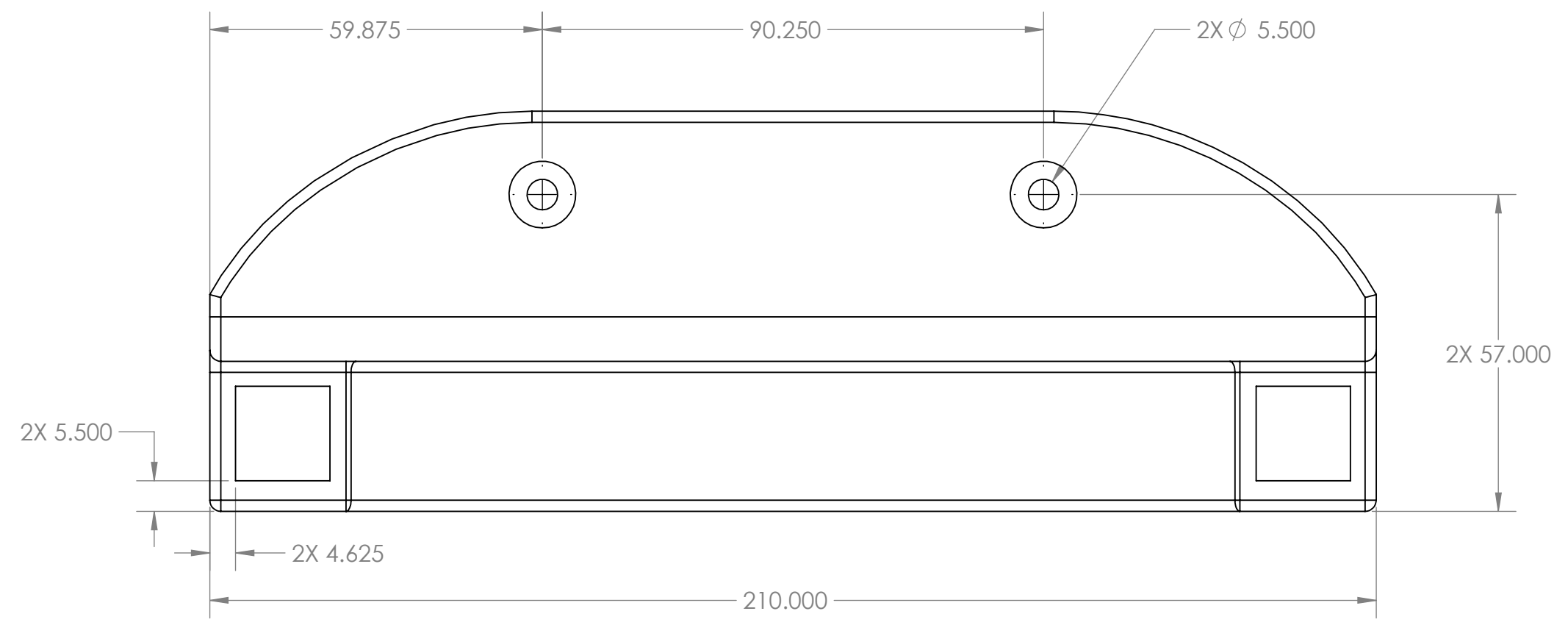
CUSTOMER: FLIGHT OUTFITTERS		TITLE	
UNLESS OTHERWISE SPECIFIED DIMENSIONS IN MILLIMETERS (mm)		DESCRIPTION: TXS130-2/9 FEET PART NUMBER:	
TOLERANCES: 0 = ±2.5 0.0 = ±0.25 0.00 = ±0.13 0.000 = ±0.013 ANGLES = ±1.0°		SCALE: NTS	FINISH: NATURAL
THIRD ANGLE PROJECTION	MATERIAL:	SIZE: C	DRW. NO. SHEET 1 OF 1
	DRAWN BY: JMB DATE: 03/AUG/2021 CHECKED BY: DATE:	REV: 01	

4

3

2

1



PROPRIETARY AND CONFIDENTIAL
 THE INFORMATION CONTAINED IN THIS DRAWING IS THE SOLE PROPERTY OF FABWORX MANUFACTURING & DESIGN. ANY REPRODUCTION IN PART OR AS A WHOLE WITHOUT THE WRITTEN PERMISSION OF FABWORX MANUFACTURING & DESIGN IS PROHIBITED.

CUSTOMER: FLIGHT OUTFITTERS		TITLE	
UNLESS OTHERWISE SPECIFIED		DESCRIPTION: TXS130-2/9 HANDLE BRACKET	
DIMENSIONS IN MILLIMETERS (mm)		PART NUMBER:	
TOLERANCES: 0 = ±2.5		SCALE: NTS	
0.0 = ±0.25		MATERIAL:	
0.00 = ±0.13		FINISH: NATURAL	
0.000 = ±0.013		DRAWN BY: JMB	
ANGLES = ±1.0°		DATE: 03/AUG/2021	
THIRD ANGLE PROJECTION		SIZE: C	DRW. NO.:
		DATE:	REV: 01
		SHEET 1 OF 1	

4

3

2

1

D

D

C

C

B

B

A

A