

PROPRIETARY AND CONFIDENTIAL
 THE INFORMATION CONTAINED IN THIS DRAWING IS THE SOLE PROPERTY OF FABWORX MANUFACTURING & DESIGN. ANY REPRODUCTION IN PART OR AS A WHOLE WITHOUT THE WRITTEN PERMISSION OF FABWORX MANUFACTURING & DESIGN IS PROHIBITED.

CUSTOMER: FLIGHT OUTFITTERS			
UNLESS OTHERWISE SPECIFIED DIMENSIONS IN MILLIMETERS (mm)		TITLE	
TOLERANCES: 0 = ±2.5 0.0 = ±0.25 0.00 = ±0.13 0.000 = ±0.013 ANGLES = ±1.0°		DESCRIPTION: TS243-3 ASSEMBLY PART NUMBER:	
THIRD ANGLE PROJECTION	SCALE: NTS	MATERIAL:	FINISH: NATURAL
	DRAWN BY: JMB	SIZE: C	DRW. NO.:
	DATE: 03/AUG/2021	SHEET 1 OF 1	
	CHECKED BY:	REV: 01	
DATE:			

4

3

2

1

D

D

C

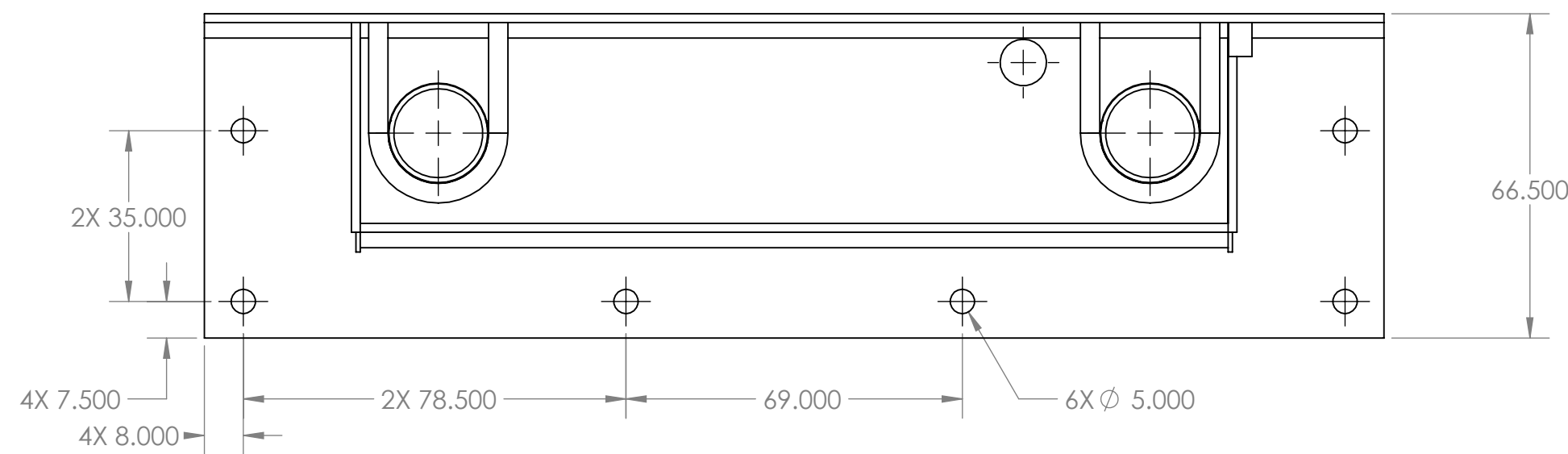
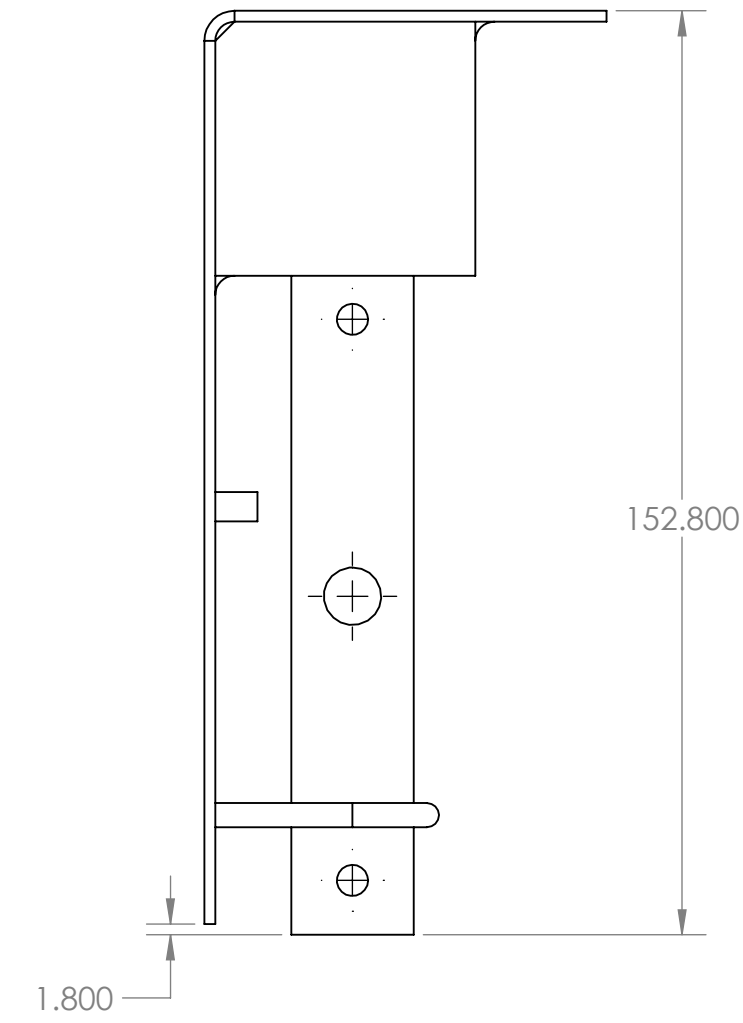
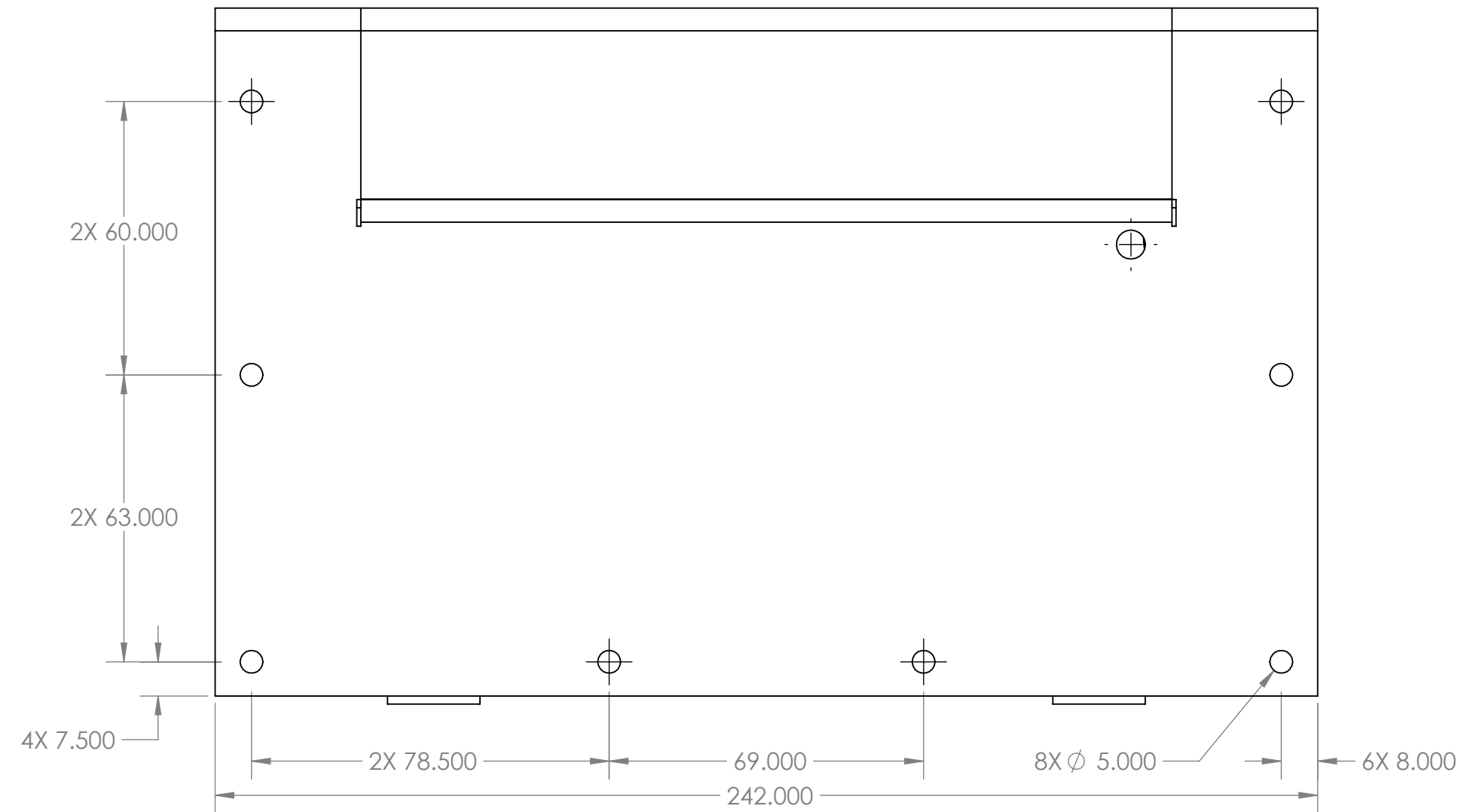
C

B

B

A

A



PROPRIETARY AND CONFIDENTIAL

THE INFORMATION CONTAINED IN THIS DRAWING IS THE SOLE PROPERTY OF FABWORX MANUFACTURING & DESIGN. ANY REPRODUCTION IN PART OR AS A WHOLE WITHOUT THE WRITTEN PERMISSION OF FABWORX MANUFACTURING & DESIGN IS PROHIBITED.

CUSTOMER: FLIGHT OUTFITTERS		TITLE	
UNLESS OTHERWISE SPECIFIED		DESCRIPTION: TS243-3 SHEET METAL	
DIMENSIONS IN MILLIMETERS (mm)		PART NUMBER:	
TOLERANCES: 0 = ±2.5		SCALE: MATERIAL:	
0.0 = ±0.25		NTS	
0.00 = ±0.13		DRAWN BY: JMB	
0.000 = ±0.013		DATE: 03/AUG/2021	
ANGLES = ±1.0°		CHECKED BY:	
THIRD ANGLE PROJECTION		DATE:	
		FINISH: NATURAL	
		SIZE	REV
		DRW. NO.	01
		SHEET 1 OF 1	

4

3

2

1