

4

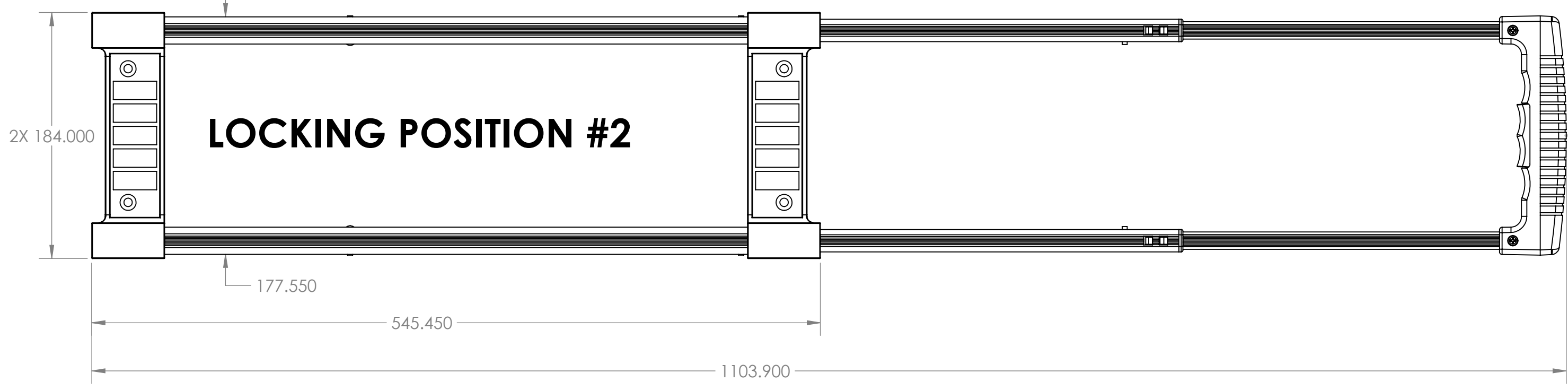
3

2

1

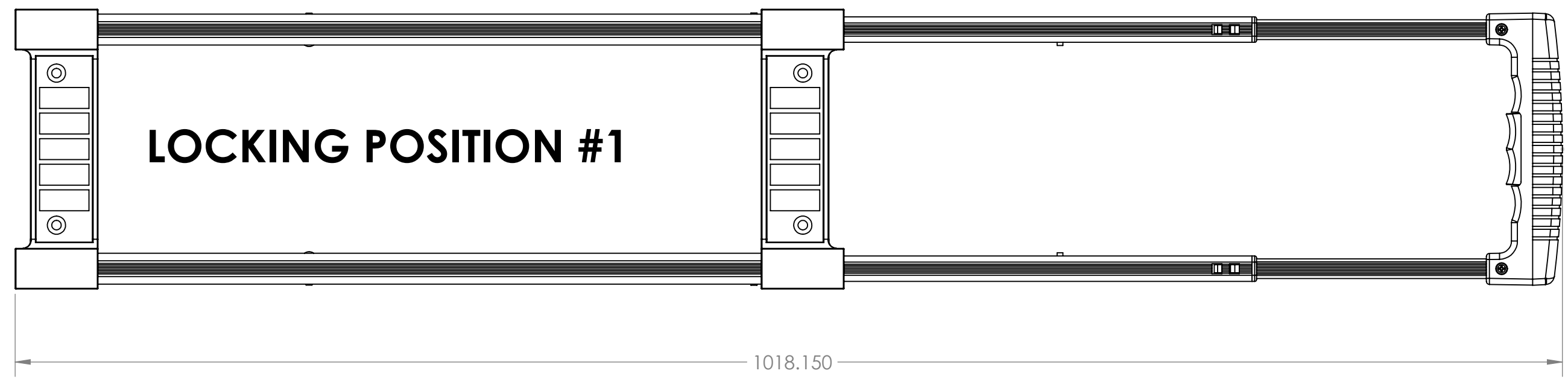
D

D



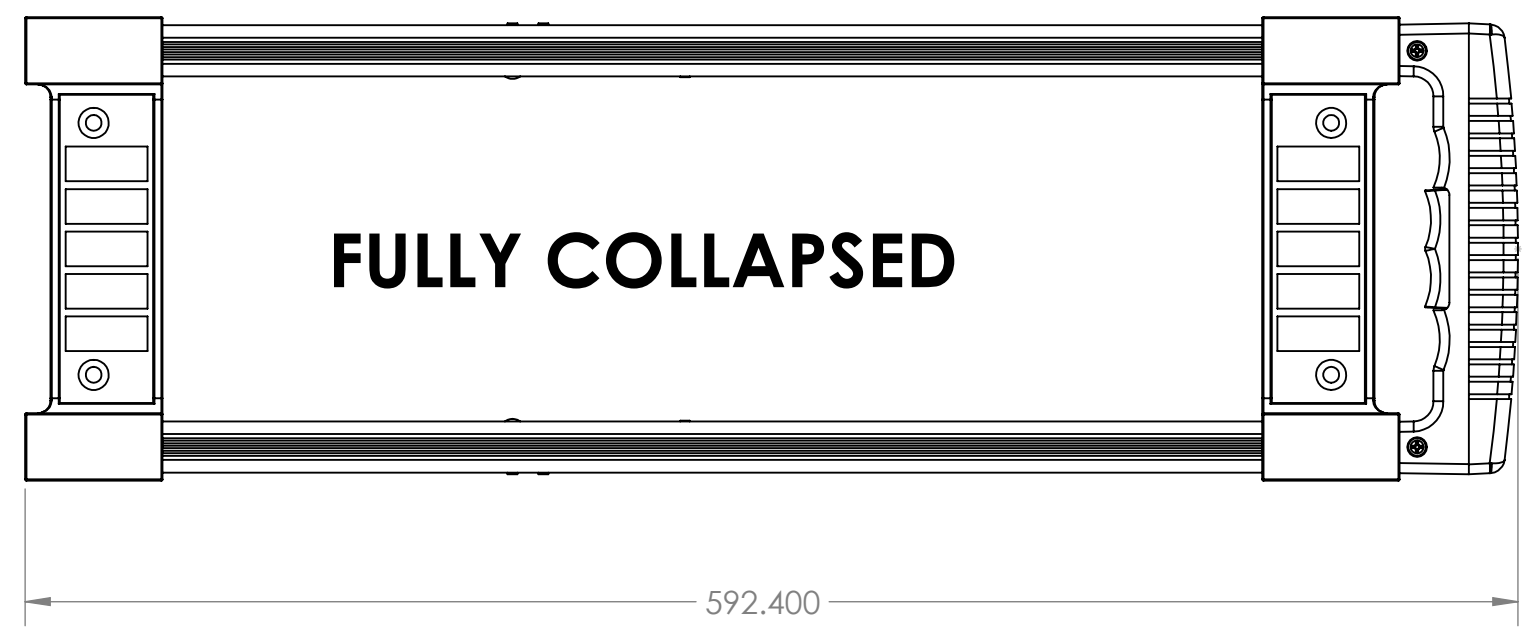
C

C



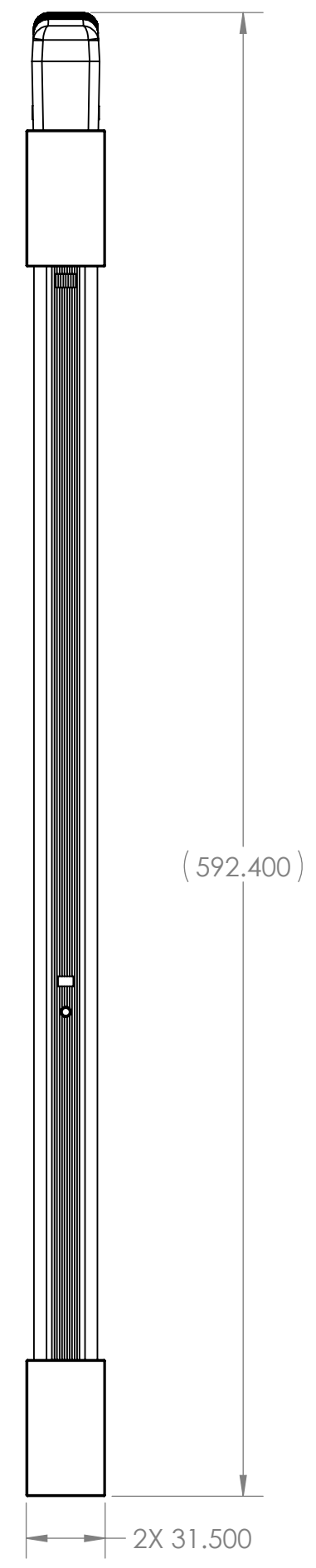
B

B



A

A



(FULLY COLLAPSED)

PROPRIETARY AND CONFIDENTIAL

THE INFORMATION CONTAINED IN THIS DRAWING IS THE SOLE PROPERTY OF FABWORX MANUFACTURING & DESIGN. ANY REPRODUCTION IN PART OR AS A WHOLE WITHOUT THE WRITTEN PERMISSION OF FABWORX MANUFACTURING & DESIGN IS PROHIBITED.

CUSTOMER: FLIGHT OUTFITTERS		TITLE	
UNLESS OTHERWISE SPECIFIED DIMENSIONS IN MILLIMETERS (mm)		DESCRIPTION: TXS120-3B PART NUMBER:	
TOLERANCES: 0 = ±2.5 0.01 = ±0.25 0.00 = ±0.13 0.000 = ±0.013 ANGLES = ±1.0°		SCALE: NTS	MATERIAL: VARIOUS
THIRD ANGLE PROJECTION		FINISH: NATURAL	REV
DRAWN BY: JMB		DATE: 19/JUL/2021	CHECKED BY:
DATE:		SIZE: C	DRW. NO. SHEET 1 OF 1
		01	

4

3

2

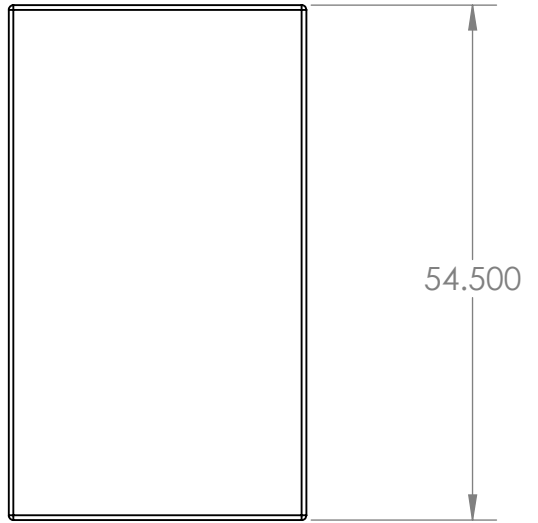
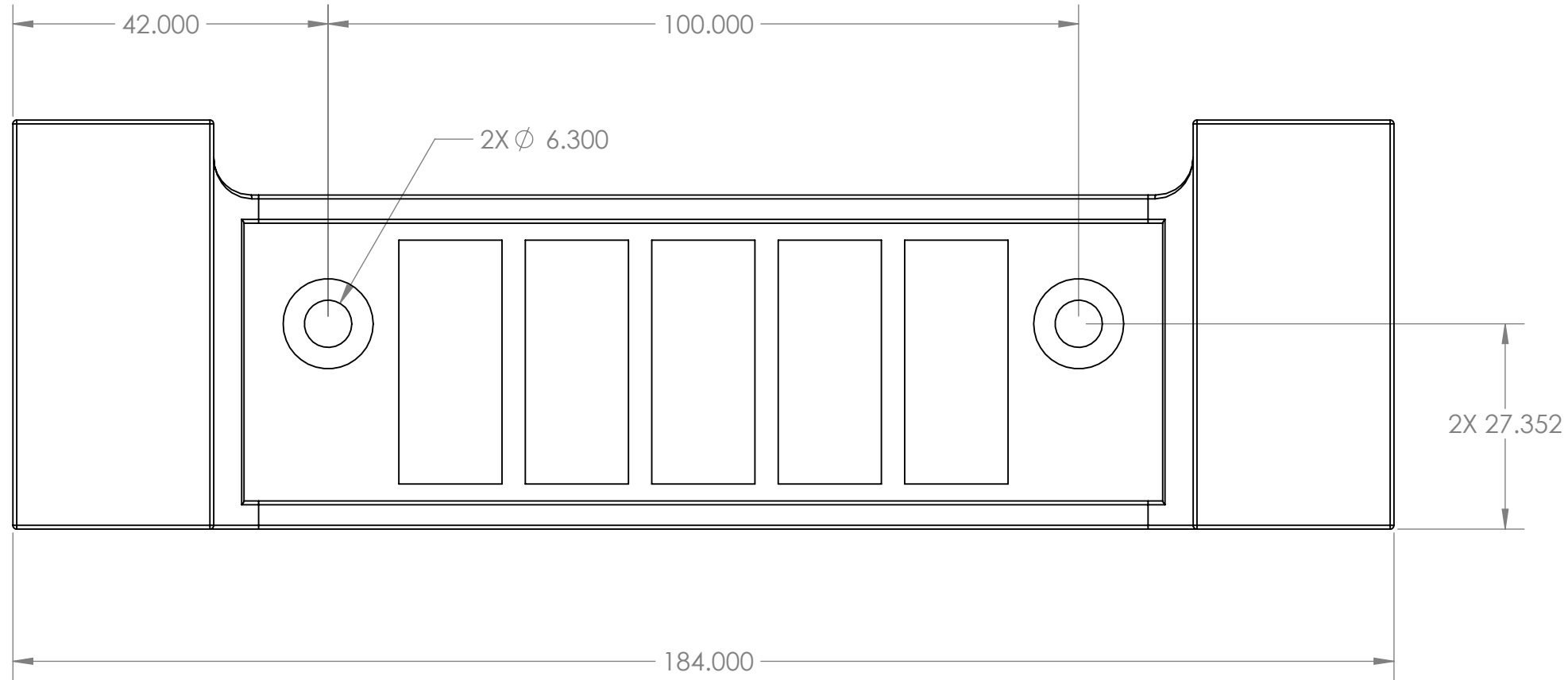
1

4

3

2

1



PROPRIETARY AND CONFIDENTIAL
 THE INFORMATION CONTAINED IN THIS DRAWING IS THE SOLE PROPERTY OF FABWORX MANUFACTURING & DESIGN. ANY REPRODUCTION IN PART OR AS A WHOLE WITHOUT THE WRITTEN PERMISSION OF FABWORX MANUFACTURING & DESIGN IS PROHIBITED.

CUSTOMER: FLIGHT OUTFITTERS			
UNLESS OTHERWISE SPECIFIED		TITLE	
DIMENSIONS IN MILLIMETERS (mm)		DESCRIPTION: TXS120-3B TUBING BRACE	
TOLERANCES: 0 = \pm 2.5		PART NUMBER:	
0.0 = \pm 0.25			
0.00 = \pm 0.13			
0.000 = \pm 0.013			
ANGLES = \pm 1.0°			
THIRD ANGLE PROJECTION	SCALE: NTS	MATERIAL:	FINISH: NATURAL
	DRAWN BY: JMB	SIZE: C	DRW. NO. SHEET 1 OF 1
	DATE: 17/JUL/2021		REV 01
	CHECKED BY:		
	DATE:		

4

3

2

1

D

D

C

C

B

B

A

A