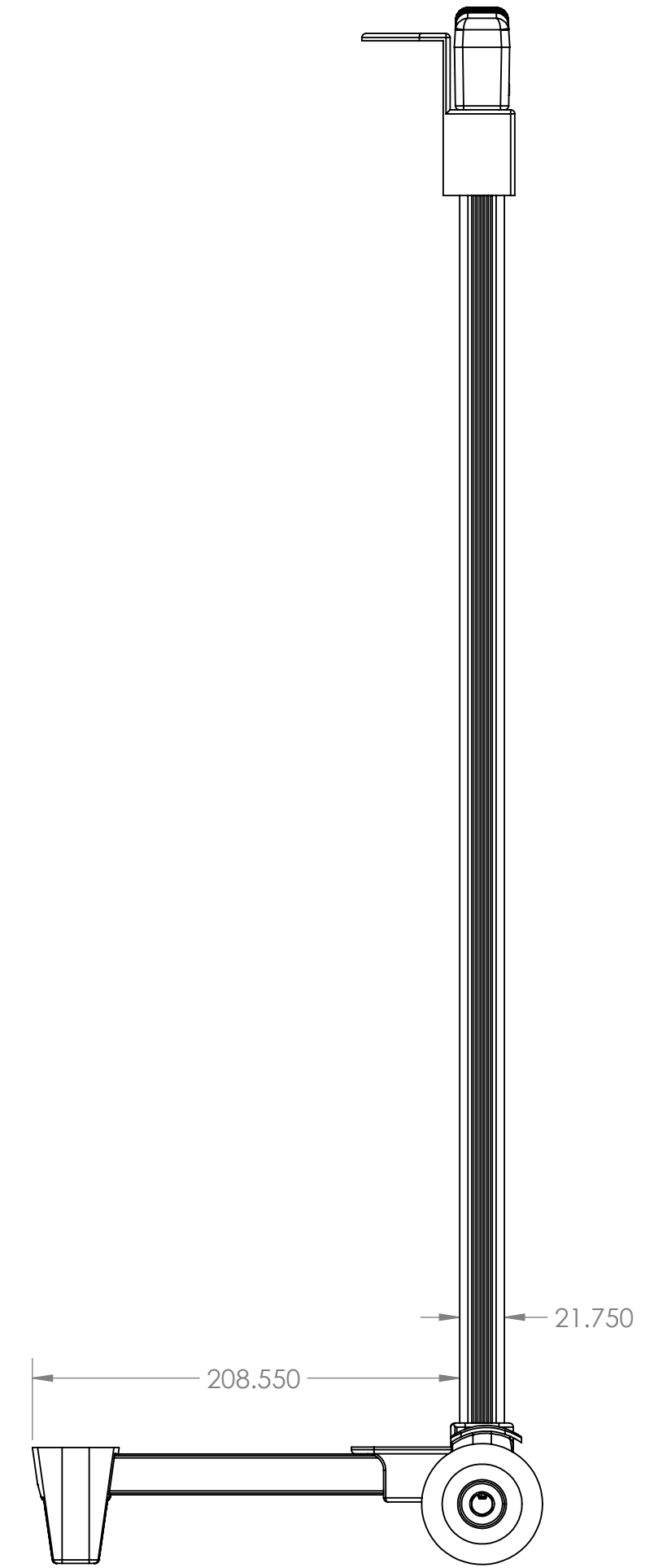
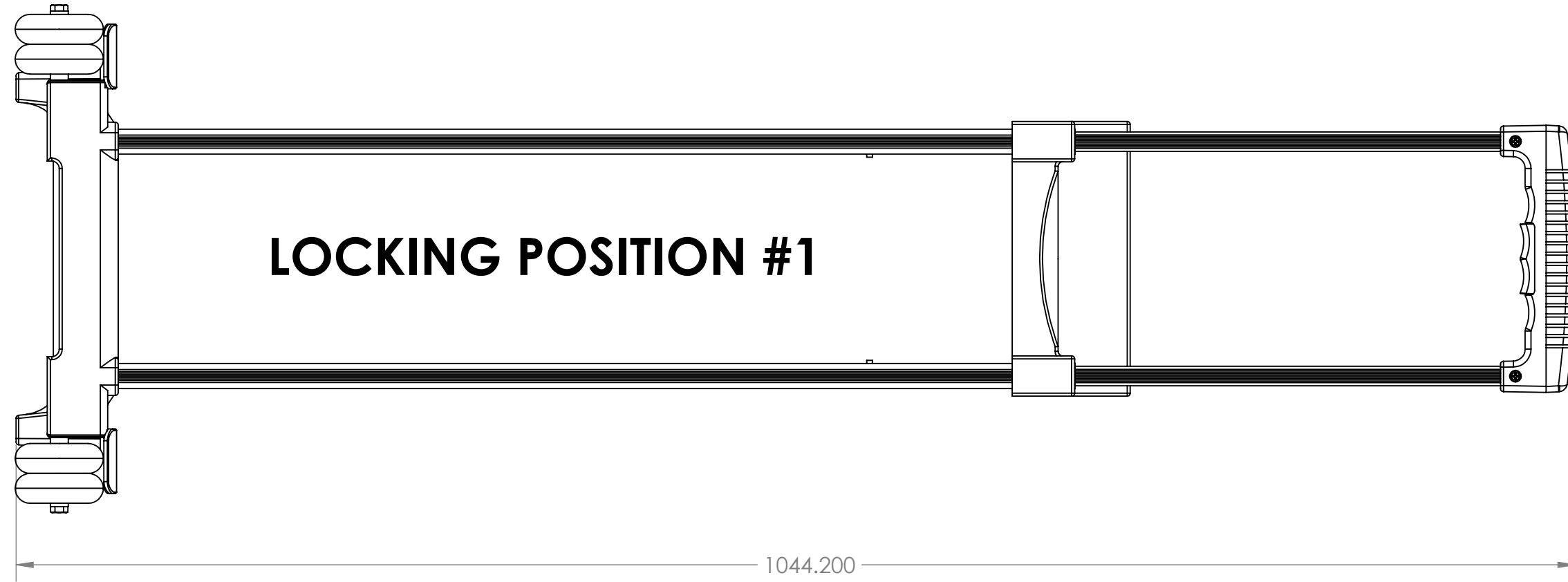
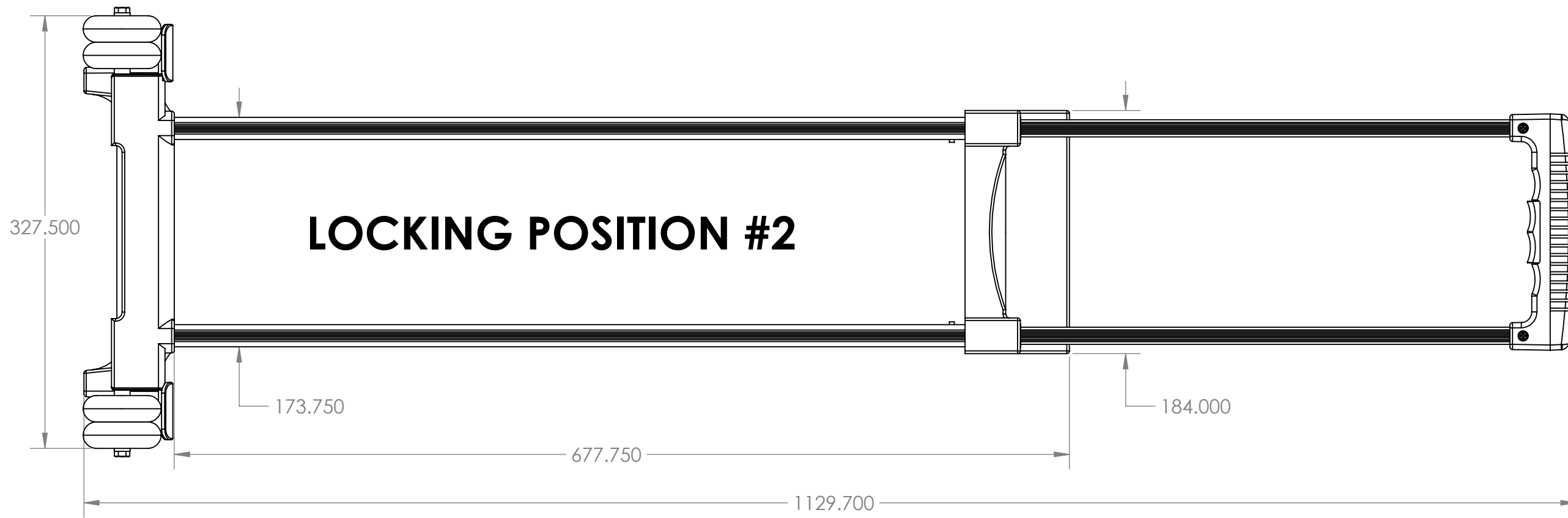


4

3

2

1



(FULLY COLLAPSED)

PROPRIETARY AND CONFIDENTIAL

THE INFORMATION CONTAINED IN THIS DRAWING IS THE SOLE PROPERTY OF FABWORX MANUFACTURING & DESIGN. ANY REPRODUCTION IN PART OR AS A WHOLE WITHOUT THE WRITTEN PERMISSION OF FABWORX MANUFACTURING & DESIGN IS PROHIBITED.

CUSTOMER: FLIGHT OUTFITTERS		TITLE	
UNLESS OTHERWISE SPECIFIED		DESCRIPTION: P-TXS120-2/13L	
DIMENSIONS IN MILLIMETERS (mm)		PART NUMBER:	
TOLERANCES: 0 = ±2.5		SCALE: MATERIAL:	
0.0 = ±0.25		NTS	
0.00 = ±0.13		DRAWN BY: JMB	
0.000 = ±0.013		DATE: 03/AUG/2021	
ANGLES = ±1.0°		CHECKED BY:	
THIRD ANGLE PROJECTION		DATE:	
FINISH: NATURAL		SIZE DRW. NO.	
REV 01		SHEET 1 OF 1	

4

3

2

1

4

3

2

1

D

D

C

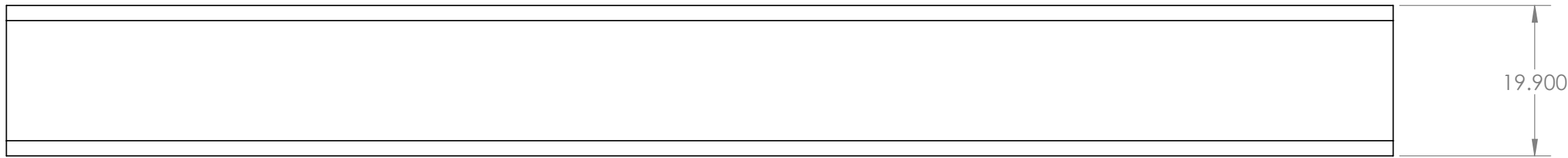
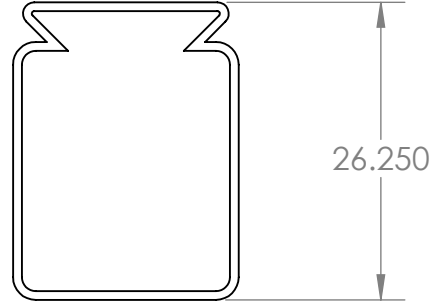
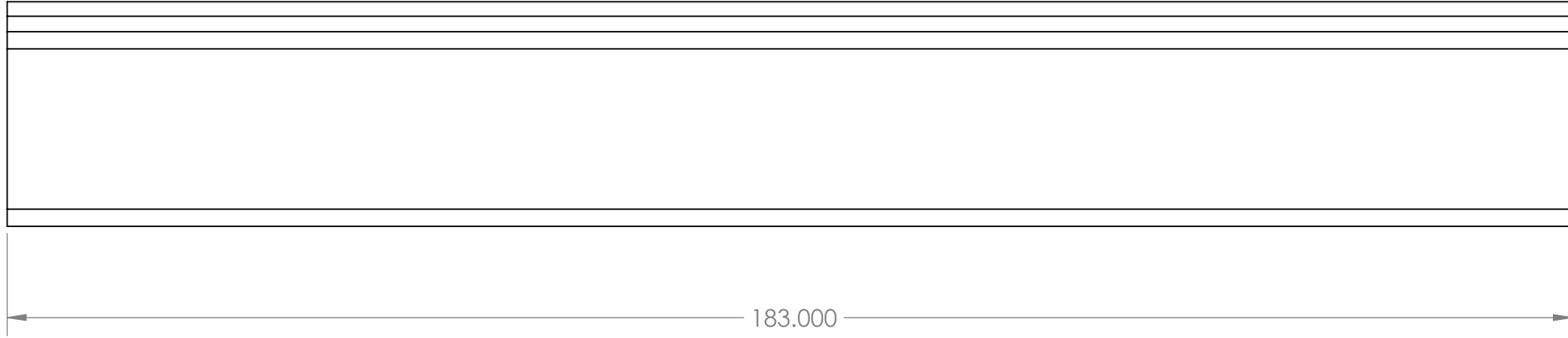
C

B

B

A

A



PROPRIETARY AND CONFIDENTIAL
 THE INFORMATION CONTAINED IN THIS DRAWING IS THE SOLE PROPERTY OF FABWORX MANUFACTURING & DESIGN. ANY REPRODUCTION IN PART OR AS A WHOLE WITHOUT THE WRITTEN PERMISSION OF FABWORX MANUFACTURING & DESIGN IS PROHIBITED.

CUSTOMER: FLIGHT OUTFITTERS			
UNLESS OTHERWISE SPECIFIED		TITLE	
DIMENSIONS IN MILLIMETERS (mm)			
TOLERANCES: 0 = ±2.5			
0.0 = ±0.25			
0.00 = ±0.13			
0.000 = ±0.013			
ANGLES = ±1.0°			
THIRD ANGLE PROJECTION	SCALE: NTS	MATERIAL:	FINISH: NATURAL
	DRAWN BY: JMB	SIZE: C	DRW. NO. SHEET 1 OF 1
	DATE: 03/AUG/2021		REV: 01
	CHECKED BY:		
	DATE:		

4

3

2

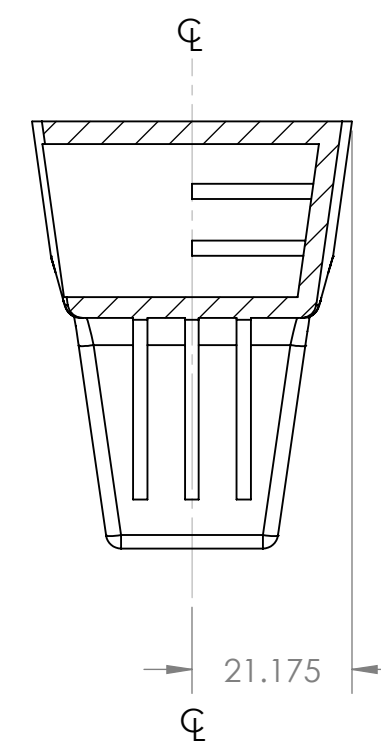
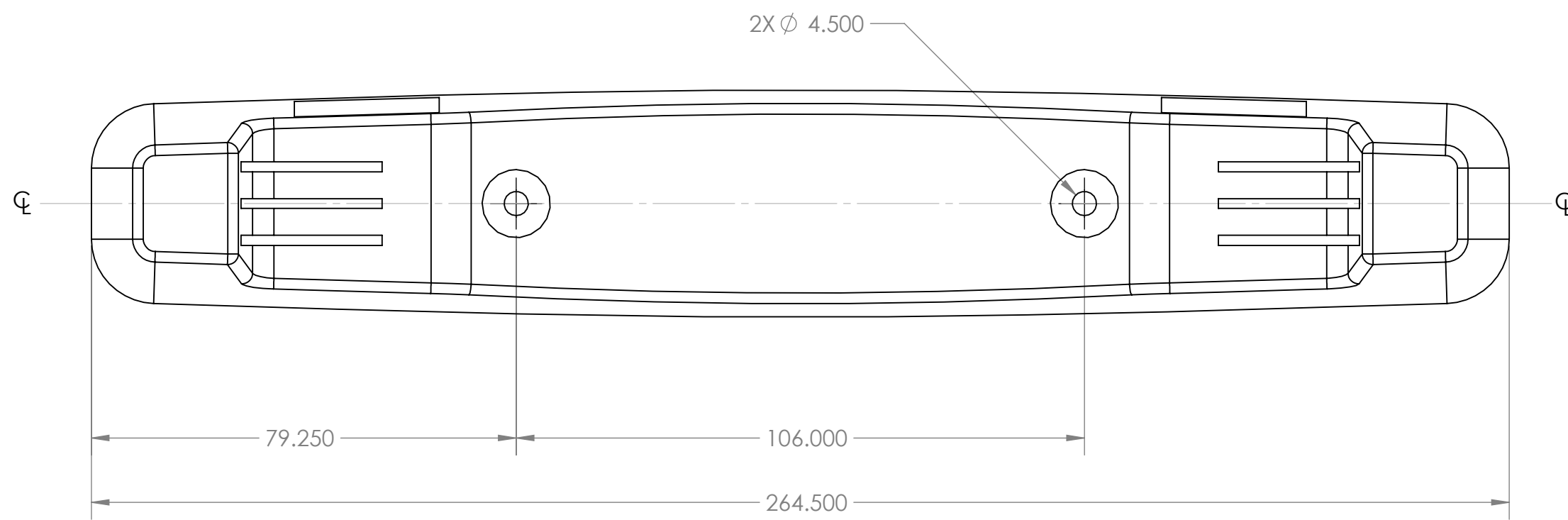
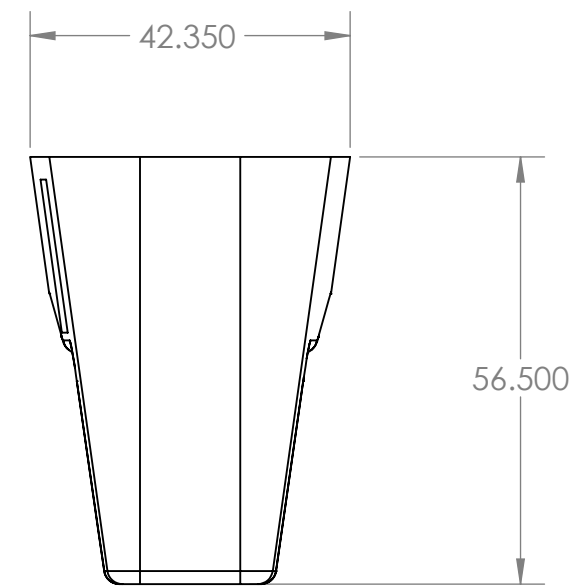
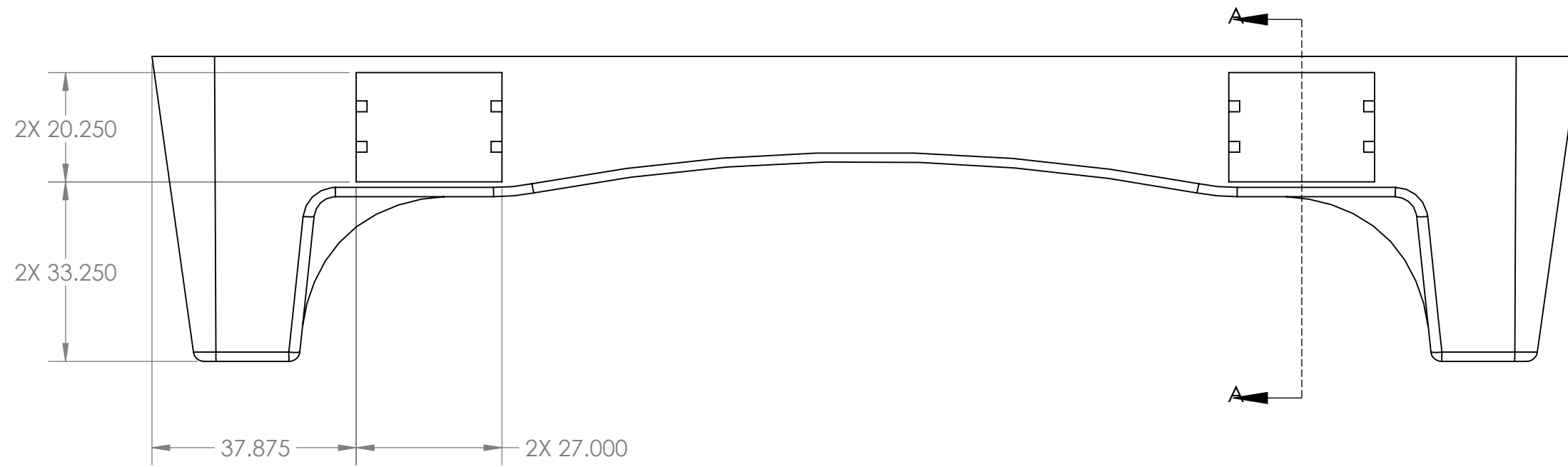
1

4

3

2

1



SECTION A-A

PROPRIETARY AND CONFIDENTIAL
THE INFORMATION CONTAINED IN THIS DRAWING IS THE SOLE PROPERTY OF FABWORX MANUFACTURING & DESIGN. ANY REPRODUCTION IN PART OR AS A WHOLE WITHOUT THE WRITTEN PERMISSION OF FABWORX MANUFACTURING & DESIGN IS PROHIBITED.

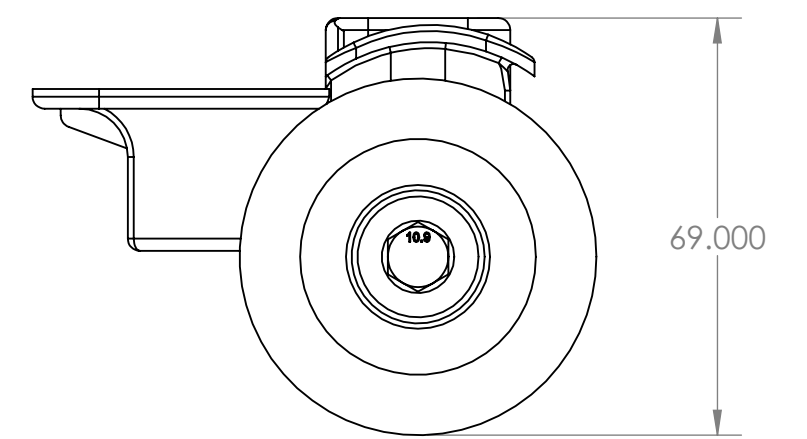
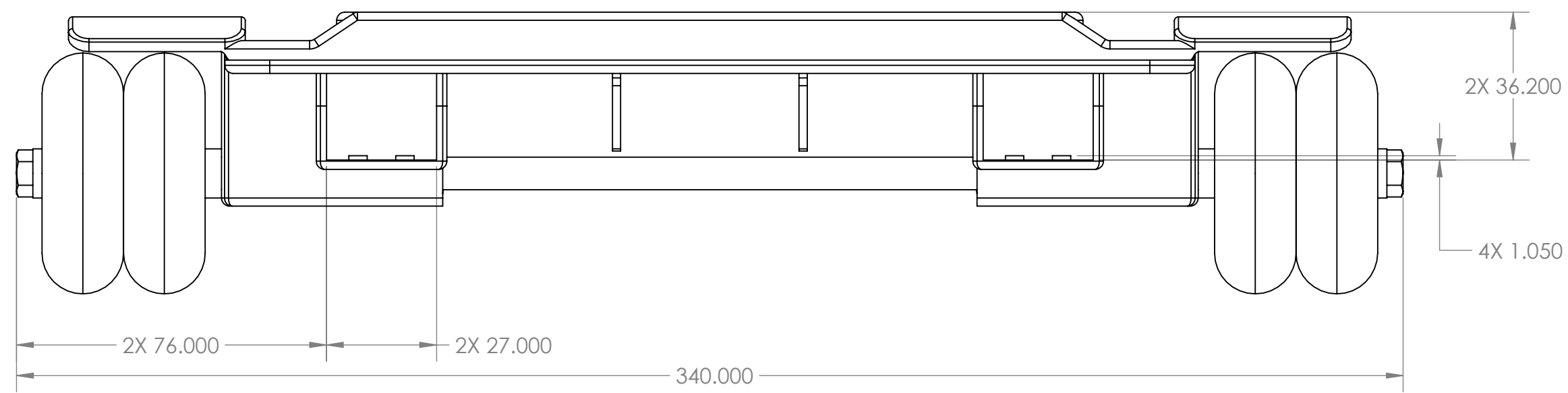
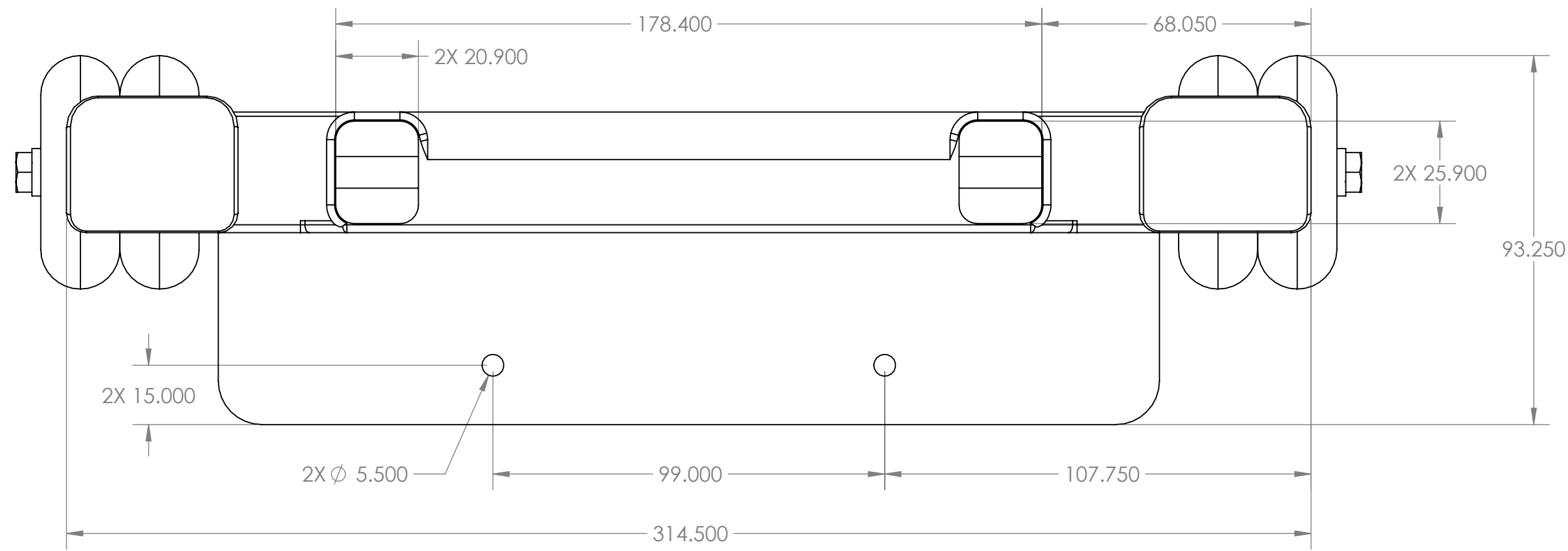
CUSTOMER: FLIGHT OUTFITTERS			
UNLESS OTHERWISE SPECIFIED DIMENSIONS IN MILLIMETERS (mm)		TITLE	
TOLERANCES: 0 = ±2.5 0.0 = ±0.25 0.00 = ±0.13 0.000 = ±0.013 ANGLES = ±1.0°		DESCRIPTION: TXS120-2/13-L FEET PART NUMBER:	
THIRD ANGLE PROJECTION	SCALE: NTS	MATERIAL:	FINISH: NATURAL
	DRAWN BY: JMB	SIZE: C	DRW. NO. SHEET 1 OF 1
	DATE: 03/AUG/2021		REV: 01
	CHECKED BY:		
	DATE:		

4

3

2

1



PROPRIETARY AND CONFIDENTIAL
 THE INFORMATION CONTAINED IN THIS DRAWING IS THE SOLE PROPERTY OF FABWORX MANUFACTURING & DESIGN. ANY REPRODUCTION IN PART OR AS A WHOLE WITHOUT THE WRITTEN PERMISSION OF FABWORX MANUFACTURING & DESIGN IS PROHIBITED.

CUSTOMER: FLIGHT OUTFITTERS		TITLE	
UNLESS OTHERWISE SPECIFIED		DESCRIPTION: TXS120-2/13-L WHEEL ASSEMBLY	
DIMENSIONS IN MILLIMETERS (mm)		PART NUMBER:	
TOLERANCES: 0 = ±2.5		SCALE: NTS	
0.0 = ±0.25		MATERIAL:	
0.00 = ±0.13		FINISH: NATURAL	
0.000 = ±0.013		DRAWN BY: JMB	
ANGLES = ±1.0°		DATE: 15/JUL/2021	
THIRD ANGLE PROJECTION	SIZE: C	DRW. NO.	REV: 01
SHEET 1 OF 1			